

48 Series - Contactor Relay

4PST - N.O. - Double Make, 15 Amp



E13224

The 48 series is a contactor with a 4 normally open, double make contacts rated up to 3HP. It uses a solenoid type moving core design which generates high contact forces. The coil is encapsulated for complete protection. Screw terminals are standard. Available as an option is a SPDT, 15 Amp, snap switch, auxiliary contact.

GENERAL SPECIFICATIONS (@ 25° C)

Contacts:

Contact Configuration	4PST-NO - Double Make
Contact Material	Silver Alloy
Contact Rating	
120 / 240VAC Resistive	15 Amp
28VDC Resistive	15 Amp
Motor 120VAC 1 Phase	1Hp
Motor 240VAC 3 Phase	3Hp
Contact Resistance, Initial	50 milliohms max. @ 6VDC

Coil:

Coils Available	AC and DC
Nominal Coil Power	AC: 22VA, DC: 10W
Input Voltage Tolerance - AC	85% to 110% of nominal
Input Voltage Tolerance - DC	80% to 110% of nominal
Drop-out voltage	10% of nominal
Duty	Continuous

Timing:

Operate Time (max)	60 mS
Release Time (max)	30 mS

Dielectric Strength:

Across Open Contacts	2500Vrms
Between mutually insulated point	2500Vrms
Insulation resistance	1,000 Mohms min. @ 500VDC

Temperature:

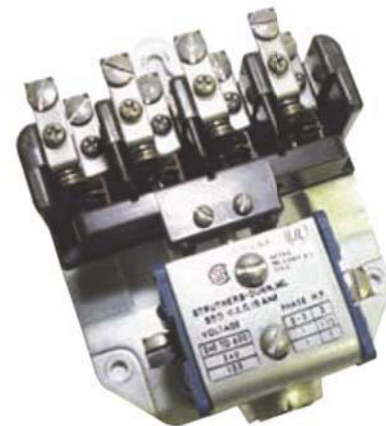
Operating	-40 to 50°C (-40 to 122°F)
Storage	-40 to 105°C (-40 to 221°F)

Life Expectancy:

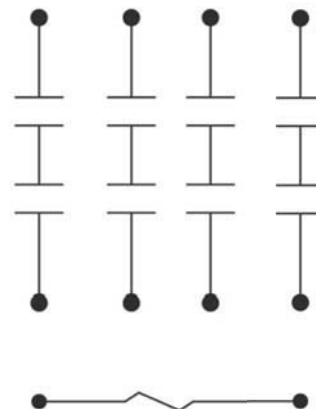
Electrical (full load)	100,000
Mechanical (no load)	5,000,000

Miscellaneous:

Mounting Position	Vertical - Contacts Up
Enclosure	Open
Weight	26.4 oz (748 grams)



48 Wire Diagram
(Top View)



Motor Relays

15 - 75 Amp

Contact Ratings

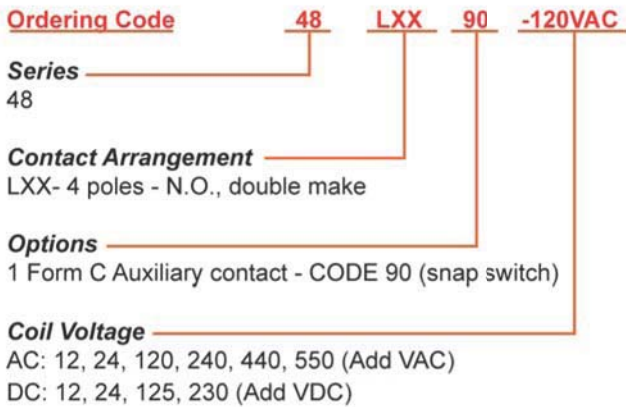
Volts	Phase	Resistance Amps	Motor HP
120VAC	1	15	1
280/240VAC	1	15	1.5*
208/240VAC	2-3	15	3*
480/600VAC	2-3	15	3†
110/125VDC	-	15	-
230VDC	-	2	-
Auxiliary Contact			
120VAC	1	15	-
240VAC	1	5	-

*HP ratings are at 240V only for U.L.
 †HP ratings is at 440/550V for U.L.

Coil Data

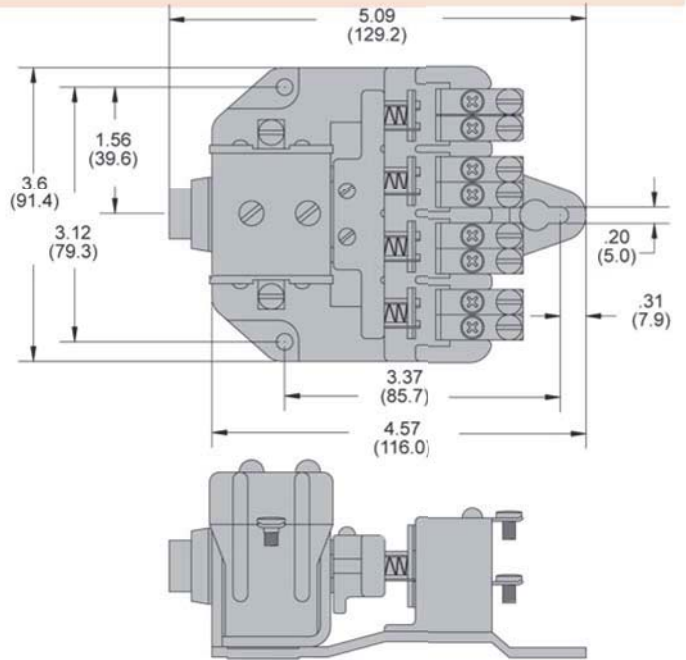
Voltage	AC, 50/60HZ		DC	
	mAmp	DC ohms	mA	ohms
12	1.83	1.00	.72	16.5
24	.91	5.30	.41	58.2
120*	.18	92.0	.08	1450
240†	.92	420	.05	4200
440	.05	2100	-	-
550	.04	3100	-	-

*120VAC or 115-125VDC
 †240VAC or 230VDC



Max Outline Dimensions

Dimensions Shown in inches & (millimeters)



Note:
 Contactors must be mounted in vertical position with the contacts up.